

INSTRUCTION MANUAL

BS02321224

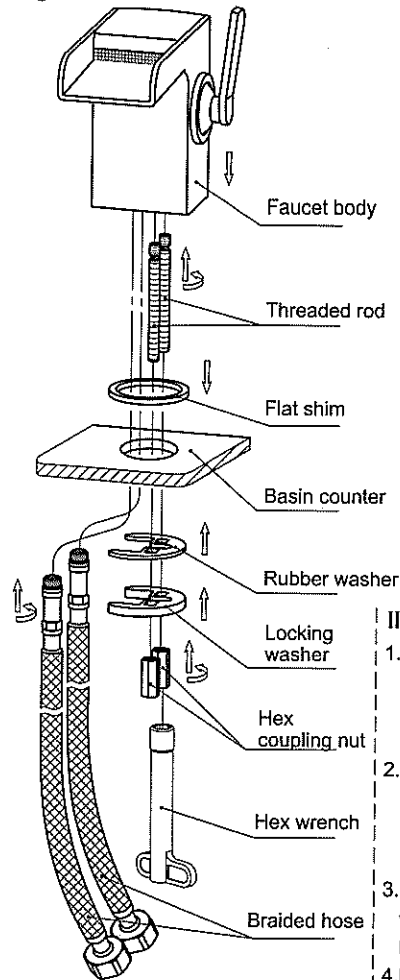
I. Installation Notice

1. Install water supply lines in accordance with this manual.
2. Floor drain should be installed in the location of the faucet.
3. Install faucets only after the completion of house interior decoration in case paint or other chemicals erode faucet surface.
4. Clean pipes before installation to get rid of mud, sand or other debris.
5. If the thread of pipes don't match well with product, please find out the reason first, otherwise a forced connection will damage the faucet.
6. After installation, check all the joints to make sure they are firmly connected. Then turn on and off water repeatedly to ensure there is no leakage around the joints. At this stage, the product is ready for normal use.
7. Keep the manual to the user.

II. Operation Notice

1. The working condition of this product is water pressure 0.05~1.0MPa, water temperature 4~90°C.
2. Do not hang heavy things on the faucet.
3. Make sure the faucet is off when no water comes out of it (especially when nobody resides in or during the period of decoration or suspend of water).
4. Regularly clean the surface of faucet to keep it bright. Attention: do not use inappropriate tools such as sharp brushes, rough sponges, scouring pads or corrosive detergent to clean the faucet, and we do not recommend that you use the detergent sold in the market, because its formula is changing frequently. Please clean the faucet by a wet cotton cloth with soapy water, then rinse and dry with a soft cotton cloth after each time of usage.
5. When the room temperature drops to below 0°C, take necessary measures (such as keeping faucet warm and closing windows) to prevent the faucet from being frozen or even broken (especially when windows kept open for air ventilation while nobody resides in).
6. Please open the cold and hot water in turn and adjust to comfortable temperature before washing to avoid scald.
7. Do not disassemble the product unless you are an expert.

Figure I

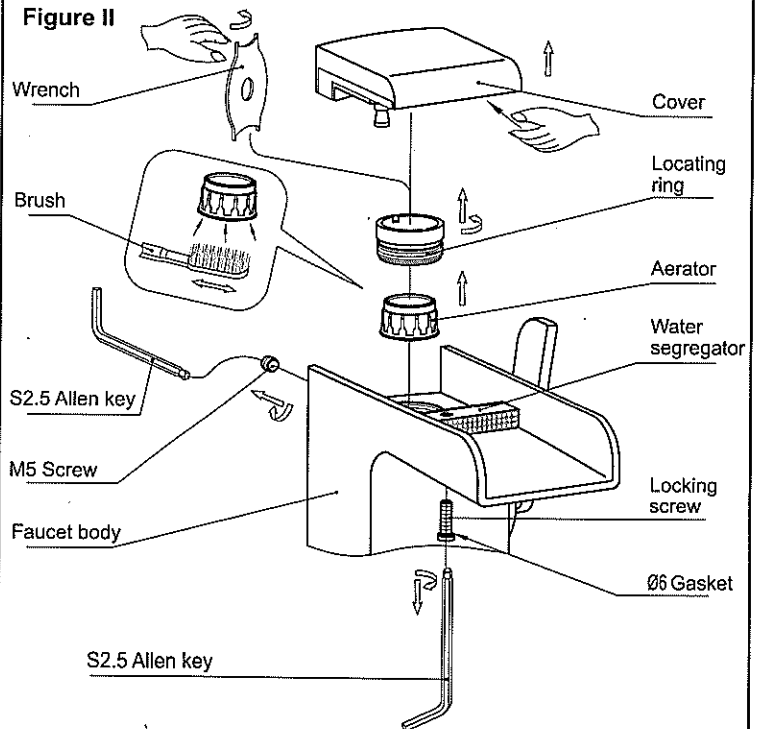


III. Installation Steps (Figure I)

1. Connect braided hoses and threaded rod to faucet body tightly (Note: front for blue braided hose, back for red braided hose).
2. Pass faucet body with flat shim through hole of basin counter, pad rubber washer and locking washer in turn, tighten with hex coupling nut.
3. Connect braided hoses with triangle valves, position as cold front and hot back.
4. Run water to check the installation.

* The installation diagram is only for reference, the product is subject to the real object.

Figure II



IV. Cleaning (Figure II)

If flow rate is lessened after a period of usage, possibly because poor water block the aerator, take the following steps to clean:

1. Remove locking screw and M5 screw from faucet body, do not lose the Ø6 gasket on locking screw.
2. Disassemble cover by hand carefully, remove locating ring and aerator, clean aerator with brush.